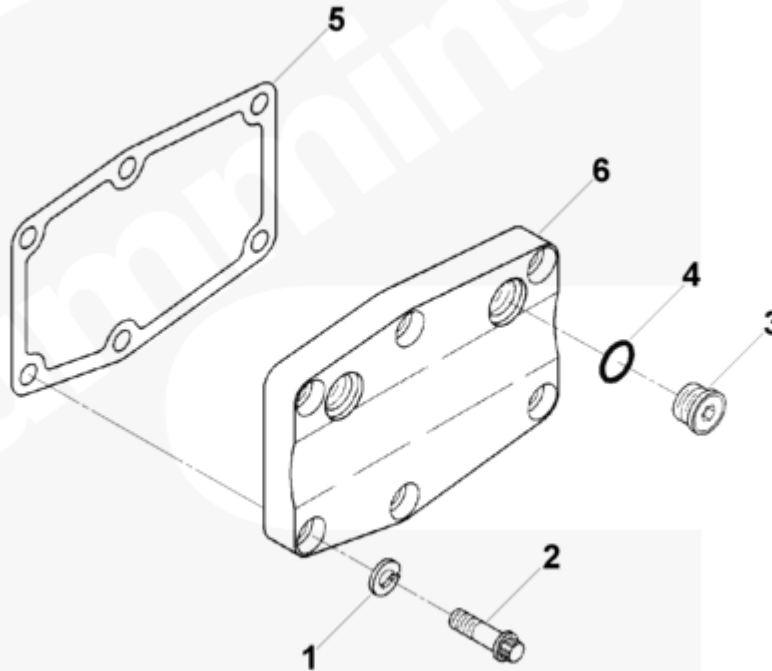




Parts Catalog - Option Detail

Electronic Parts Catalog - Option Detail				
Option	Group	Graphic	Film Card	Date
LF6704-02	07.04	lf601ge	K38	19-JAN-99
Engines	GTA38, K38, KTA38GC CM558, QSK38 CM2150 K106, QSK38 CM2150 MCRS, QSK38 CM850 MCRS			

©Cummins Inc



lf601ge

SMALL | MEDIUM | LARGE

Cart	Ref No	Part Number	Part Description	Required	Remarks
View My Cart					
		LF6704-02	Oil Transfer Connection		Oil Transfer Connection...(More)
					Component Supplied: Oil
					Transfer Connection
					Intended Usage:
					With Factory Mounted Lube Oil
					By - Pass Filter.
<input type="checkbox"/>	1	S 604	Lock Washer	12	3/8 in.

<input type="checkbox"/>	2	191772	Twelve Point Cap Screw	12	3/8 - 16 X 1 1/4 in.
<input type="checkbox"/>		3046202	Threaded Plug	4	3/4 - 16 UNF.
	3	3040810	Threaded Plug	1	
<input type="checkbox"/>	4	3046201	O-Ring Seal	1	
<input type="checkbox"/>	5	3627938	Cover Plate Gasket	2	
<input type="checkbox"/>	6	3629146	Oil Transfer Connection	2	

© 2019 Cummins Inc., Box 3005, Columbus, IN 47202-3005 U.S.A.
Terms of Use and Disclaimers | Recommended System Requirements
Need Assistance? Please click on the Contact Us button in the top right corner of any page.